



AD-24 Parts Manual

24 VAC Phase 7

American Dryer Corporation
88 Currant Road
Fall River MA 02720-4781 USA
Telephone: +1 (508) 678-9000 / Fax: +1 (508) 678-9447
e-mail: techsupport@amdry.com

www.adclaundry.com

Retain This Manual In A Safe Place For Future Reference

American Dryer Corporation products embody advanced concepts in engineering, design, and safety. If this product is properly maintained, it will provide many years of safe, efficient, and trouble free operation.

ONLY qualified technicians should service this equipment.

OBSERVE ALL SAFETY PRECAUTIONS displayed on the equipment or specified in the installation manual included with the dryer.

The following “**FOR YOUR SAFETY**” caution must be posted near the dryer in a prominent location.

FOR YOUR SAFETY

Do not store or use gasoline or other flammable vapors and liquids in the vicinity of this or any other appliance.

POUR VOTRE SÉCURITÉ

Ne pas entreposer ni utiliser d'essence ni d'autres vapeurs ou liquides inflammables à proximité de cet appareil ou de tout autre appareil.

We have tried to make this manual as complete as possible and hope you will find it useful. ADC reserves the right to make changes from time to time, without notice or obligation, in prices, specifications, colors, and material, and to change or discontinue models.

Important

For your convenience, log the following information:

DATE OF PURCHASE _____ MODEL NO. **AD-24**
RESELLER'S NAME _____
Serial Number(s) _____

Replacement parts can be obtained from your reseller or the ADC factory. When ordering replacement parts from the factory, you can FAX your order to ADC at (508) 678-9447 or telephone your order directly to the ADC Parts Department at (508) 678-9000. Please specify the dryer model number and serial number in addition to the description and part number, so that your order is processed accurately and promptly.

The illustrations on the following pages may not depict your particular dryer exactly. The illustrations are a composite of the various dryer models. Be sure to check the descriptions of the parts thoroughly before ordering.

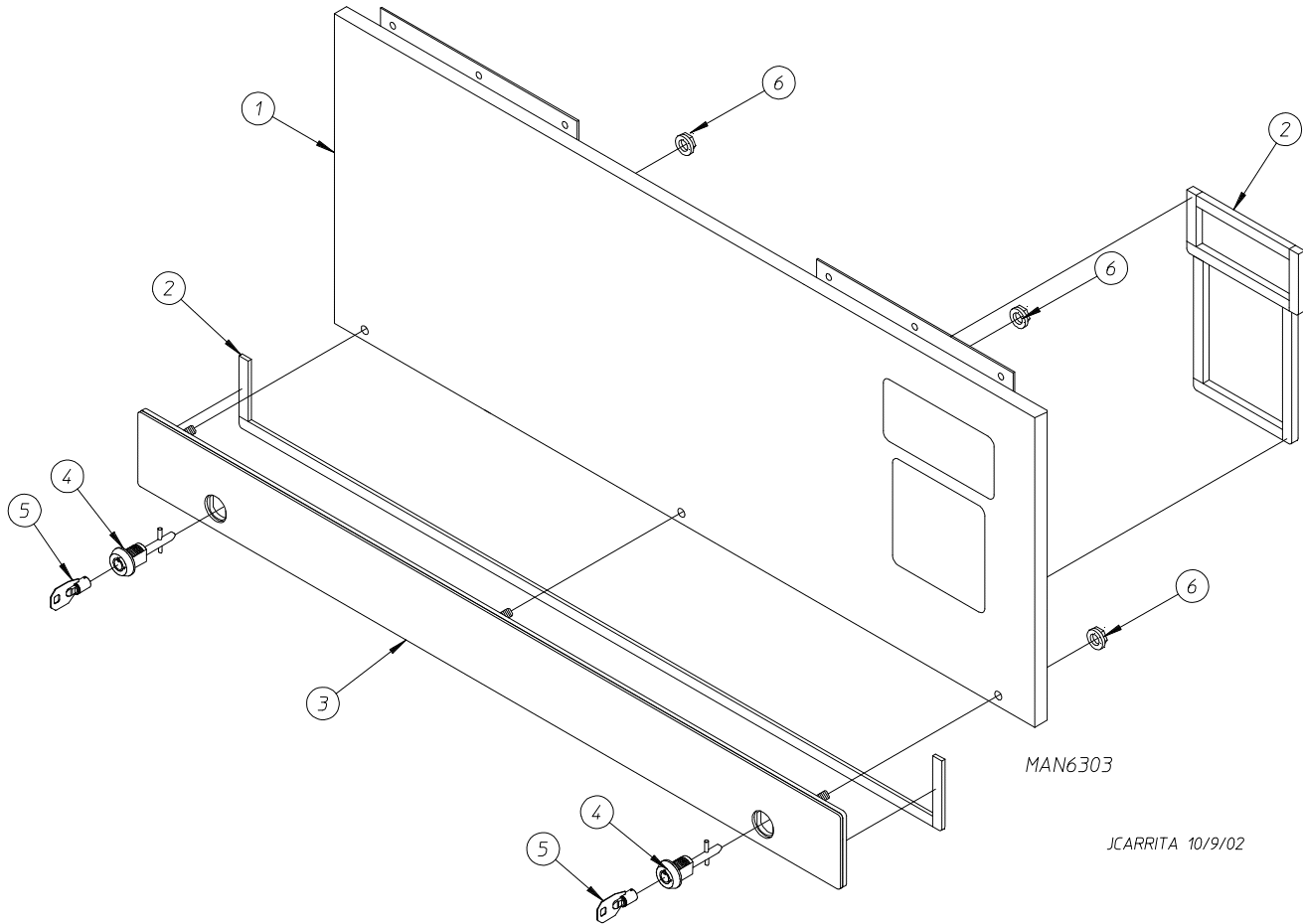
“IMPORTANT NOTE TO PURCHASER”

Information must be obtained from your local gas supplier on the instructions to be followed if the user smells gas. These instructions must be posted in a prominent location near the dryer.

Table of Contents

| | |
|----------------------------------------------------------|----|
| Coin Control Door Assembly | 4 |
| Phase 7 Coin Microprocessor Control Panel Assembly | 5 |
| Phase 7 Coin Microprocessor Control Box Assembly | 6 |
| Microprocessor Coin Vault Assembly | 7 |
| Main Door "Steel" Assembly | 8 |
| Cold Rolled Steel Front Panel Assembly | 9 |
| Main Door Switch Assembly | 10 |
| Tumbler / Support Assemblies | 11 |
| Lint Door Assembly | 12 |
| Microprocessor Sensor Bracket Assembly | 13 |
| Tumbler Bearing Assembly | 14 |
| Lint Trap Assembly | 16 |
| Idler Bearing Assembly | 17 |
| Motor Mount Assembly | 18 |
| Gas Burner Assembly | 19 |
| Sail Switch / Hi-Limit Assemblies | 20 |
| Rear Electric Relay Panel Assembly | 21 |
| Outer Top / Back Guard Assemblies | 22 |
| Additional Parts Available | 23 |

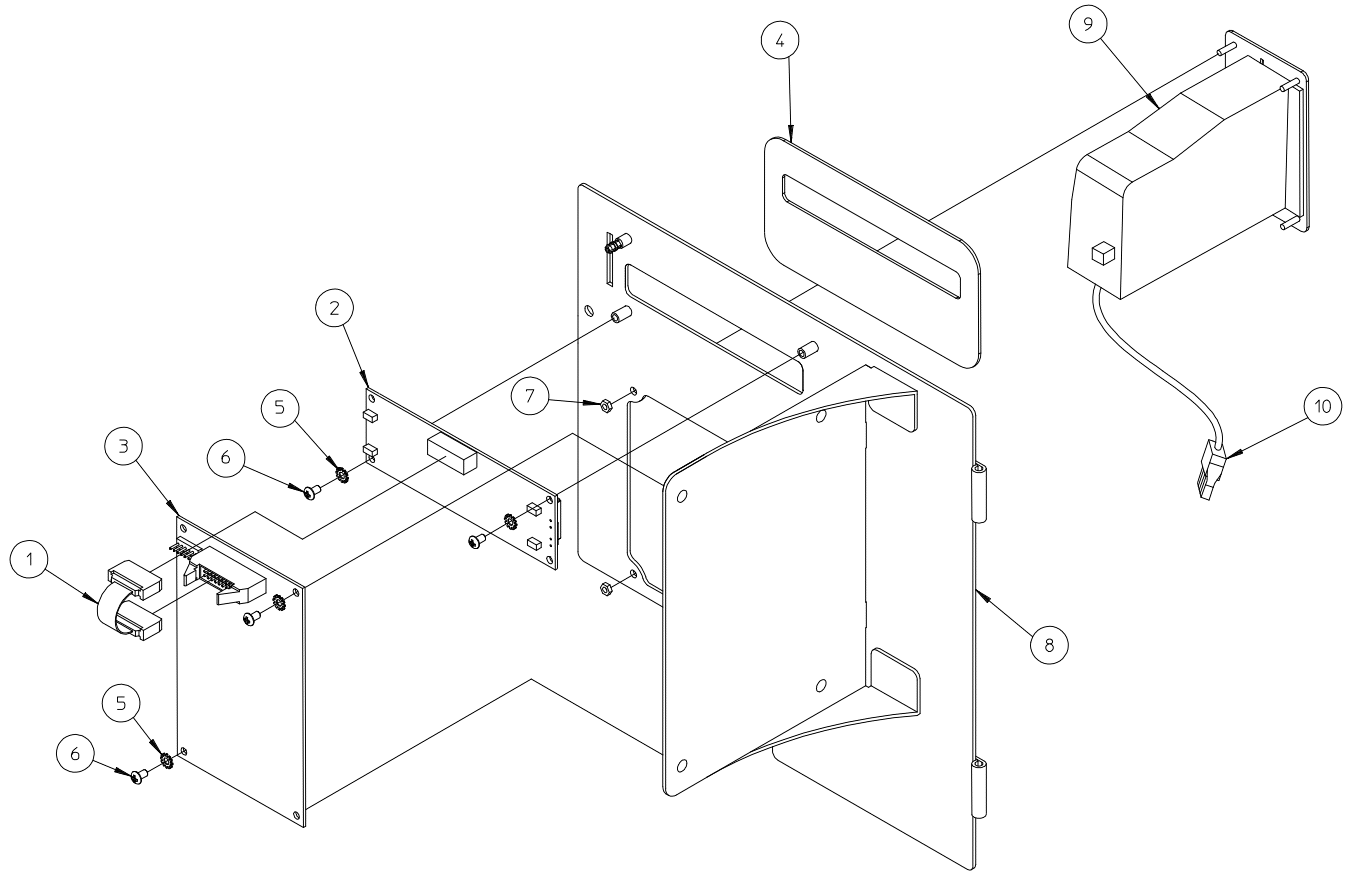
Coin Control Door Assembly



| <u>Illus. No.</u> | <u>Part No.</u> | <u>Qty.</u> | <u>Description</u> |
|-------------------|-----------------|-------------|-----------------------------------------------------------------------------------|
| 1 | 883589 | 1 | White Control Door without Locks (includes illus. nos. 1 through 3 and 6) |
| | 883590 | 1 | Coral Blue Control Door without Locks (includes illus. nos. 1 through 3 and 6) |
| | 883591 | 1 | Ivory Control Door without Locks (includes illus. nos. 1 through 3 and 6) |
| 2 | 117604 | 5 | 1/8" x 3/8" Neoprene Sponge Tape (sold by the foot) |
| 3 | 883588 | 1 | Black Control Door Trim |
| 4 | 160040 | 2 | XX4451 Lock ONLY |
| 5 | 160140 | * | XX4451 Key ONLY |
| 6 | 152014 | 3 | 1/4-20 Free Spin Wash Nut |

* As required.

Phase 7 Coin Microprocessor Control Panel Assembly

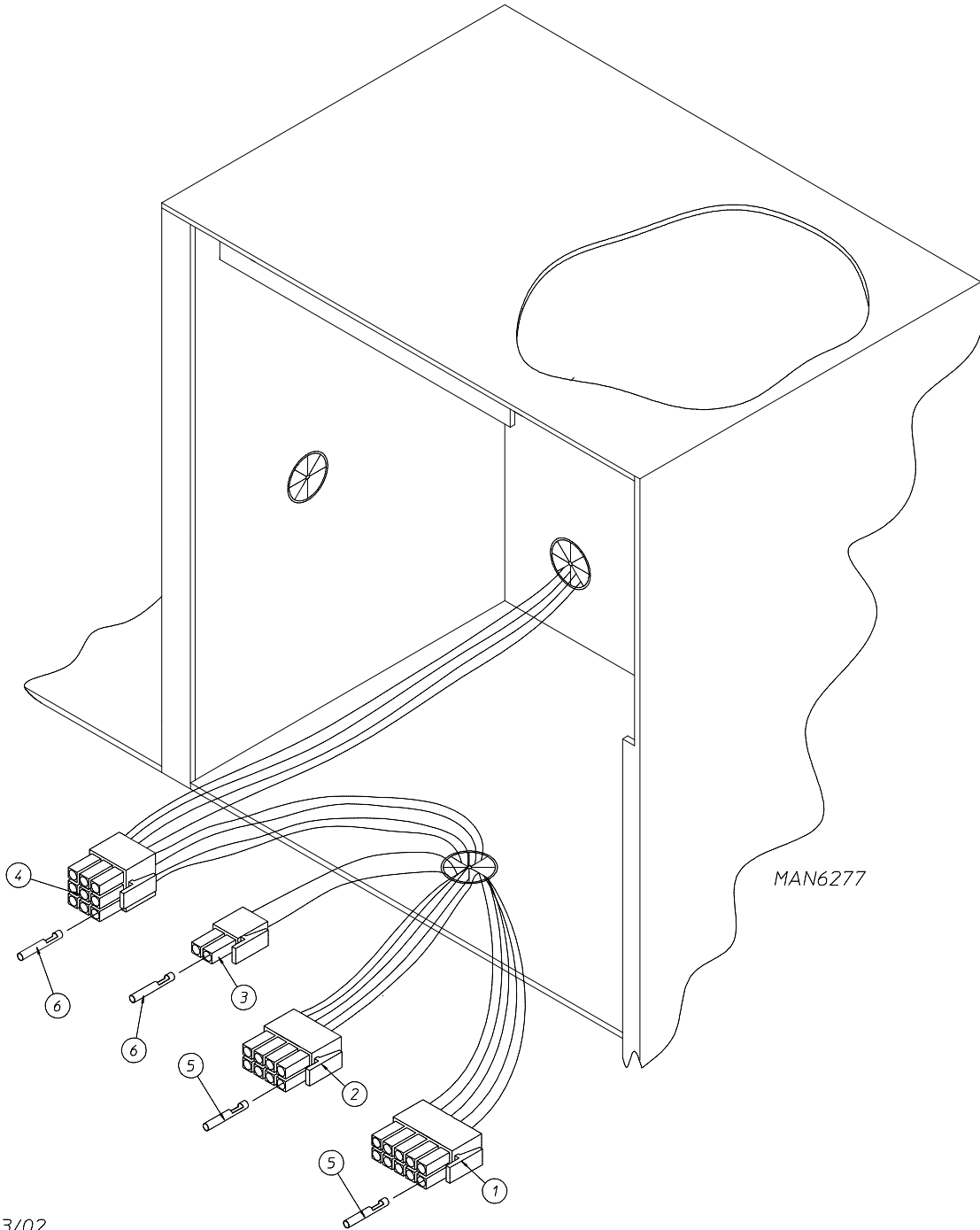


JCARRITA 10/17/02

MAN6308

| <u>Illus. No.</u> | <u>Part No.</u> | <u>Qty.</u> | <u>Description</u> |
|-------------------|-----------------|-------------|---------------------------------------------------------------------------|
| 1 | 137250 | 1 | Phase 7 Coin Ribbon Cable |
| 2 | 137270 | 1 | 16" x 1" Large Character Display |
| 3 | 883435 | 1 | Phase 7 Coin Board |
| 4 | 112575 | 1 | Phase 7 Keyboard |
| 5 | 153010 | 4 | #6 Internal and External Star Washers |
| 6 | 150005 | 4 | #6-32 x 1/4" Phillips Round Head Machine Screw |
| 7 | 152102 | 4 | M3 Metric Hex Nut |
| 8 | 802536 | 1 | Phase 7 Coin Control Panel ONLY |
| | 802537 | 1 | Phase 7 Coin Control Panel Assembly (includes illus. nos. 1 through 8) |
| 9 | 803612 | 1 | Phase 7 25¢ Coin Acceptor Assembly |
| 10 | 122633 | 1 | 3-Pin Connector |

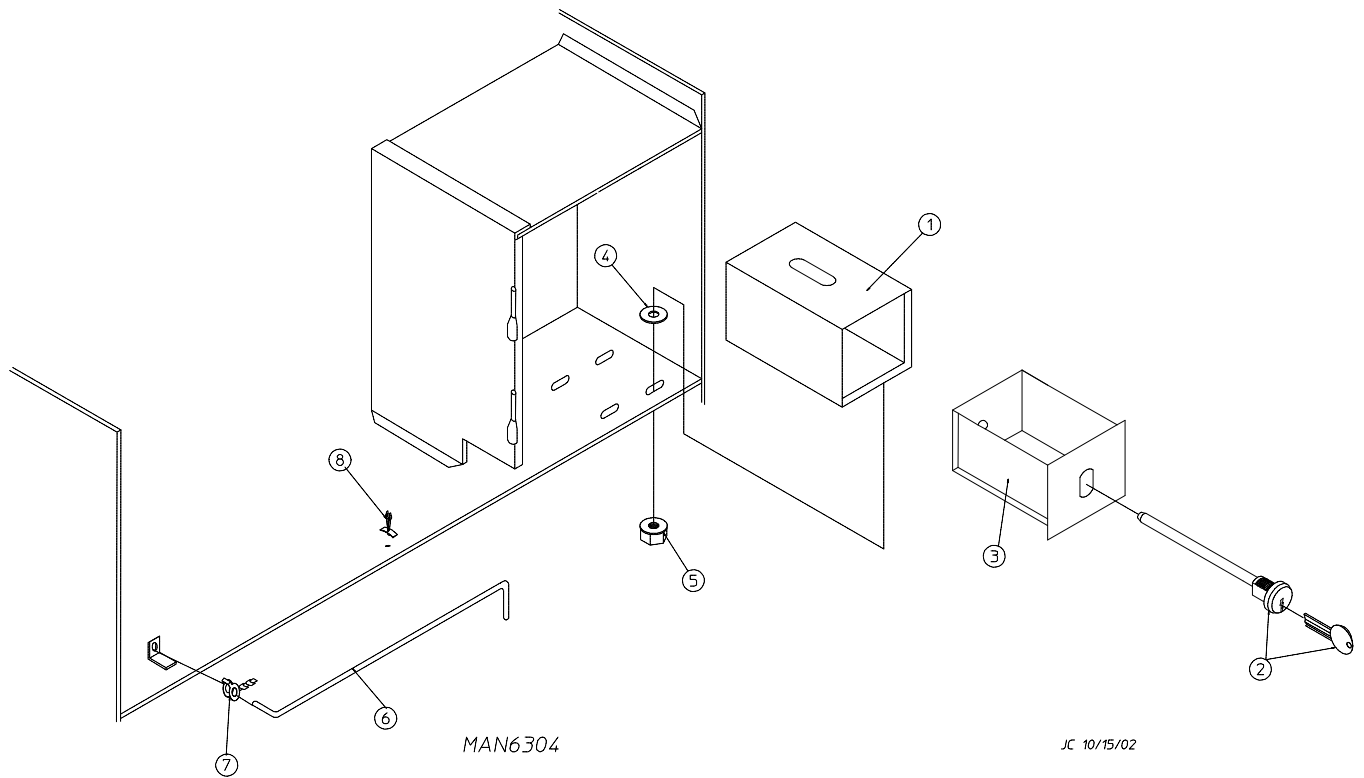
Phase 7 Coin Microprocessor Control Box Assembly



JCARRITA 9/23/02

| Illus. No. | Part No. | Qty. | Description |
|------------|----------|------|------------------------|
| 1 | 122681 | 1 | 10-Pin Connector |
| 2 | 122676 | 1 | 8-Pin Connector |
| 3 | 122646 | 1 | 2-Pin Connector |
| 4 | 122640 | 1 | 9-Pin Connector |
| 5 | 122669 | * | Female Crimp Terminal |
| 6 | 122706 | * | #20-16 U.M.N.L. Socket |

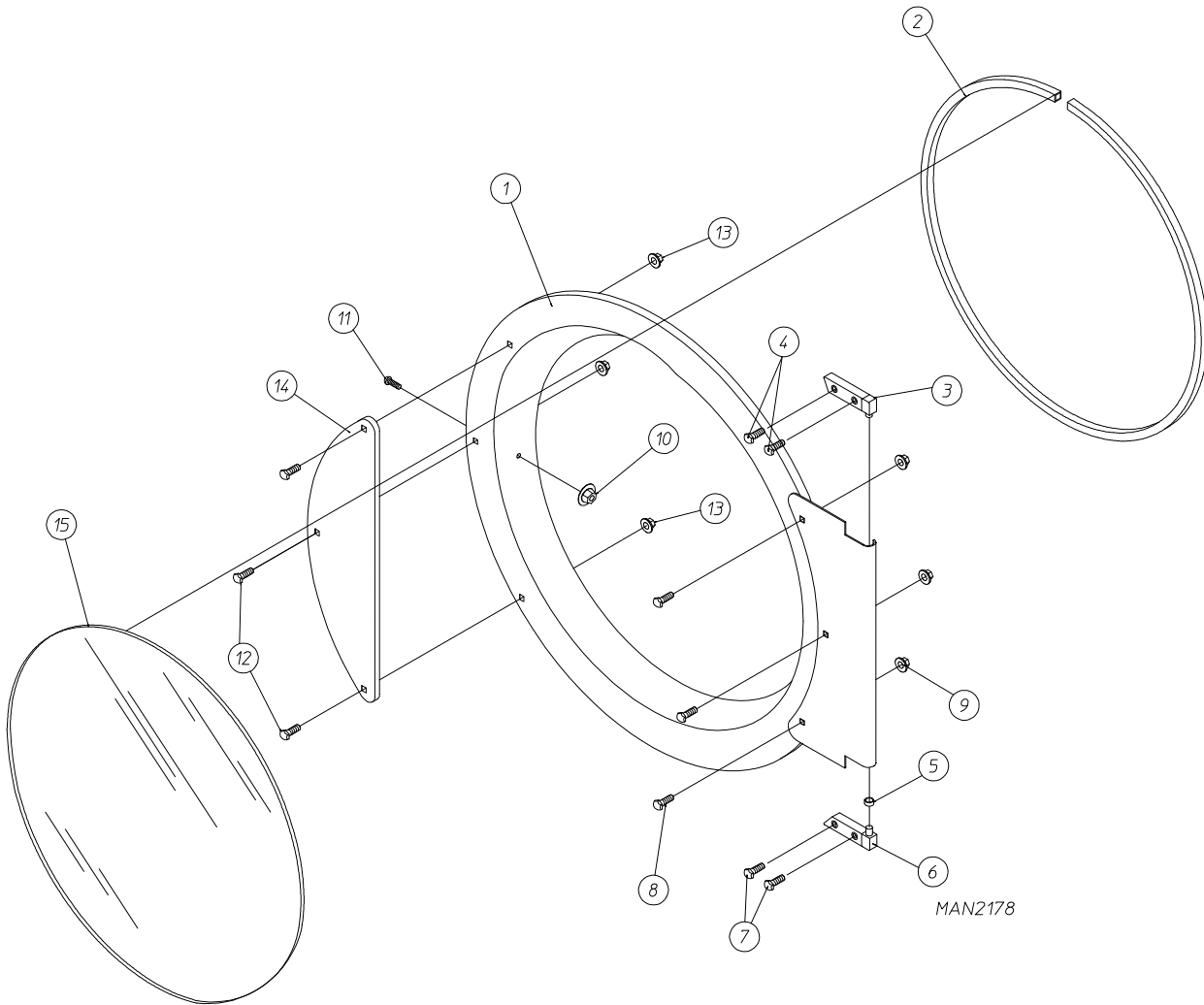
* As needed.



| <u>Illus. No.</u> | <u>Part No.</u> | <u>Qty.</u> | <u>Description</u> |
|-------------------|-----------------|-------------|-----------------------------------------------------------------------------|
| 1 | 883596 | 1 | Security Coin Vault Assembly Complete (includes illus. nos. 1 through 3) |
| | 802535 | 1 | High Security Coin Vault ONLY |
| 2 | 160022 | 1 | High Security Screw Lock with Key |
| | 160113* | 1 | Key ONLY for High Security Screw Lock |
| 3 | 802534 | 1 | High Security Coin Box ONLY |
| 4 | 153050 | 4 | 1/2" S.A.E. Flat Washer |
| 5 | 152014 | 4 | 1/4-20 Free Spin Wash Nut |
| 6 | 102502 | 1 | Control Door Support Rod |
| 7 | 102601 | 1 | Control Door Rod Retainer Clip |
| 8 | 102603 | 1 | Control Door Support Rod Catch |

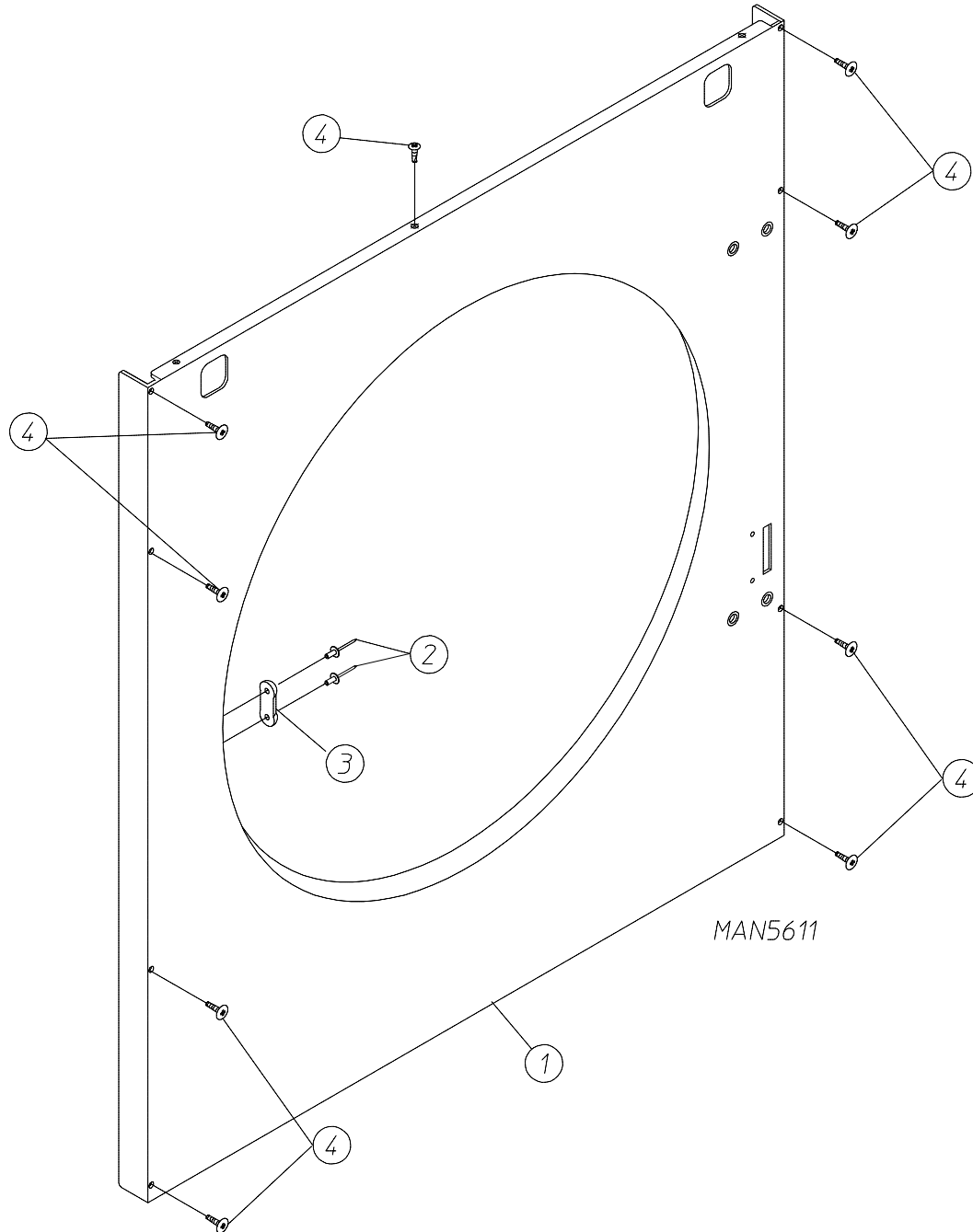
* Specify key number when ordering.

Main Door "Steel" Assembly



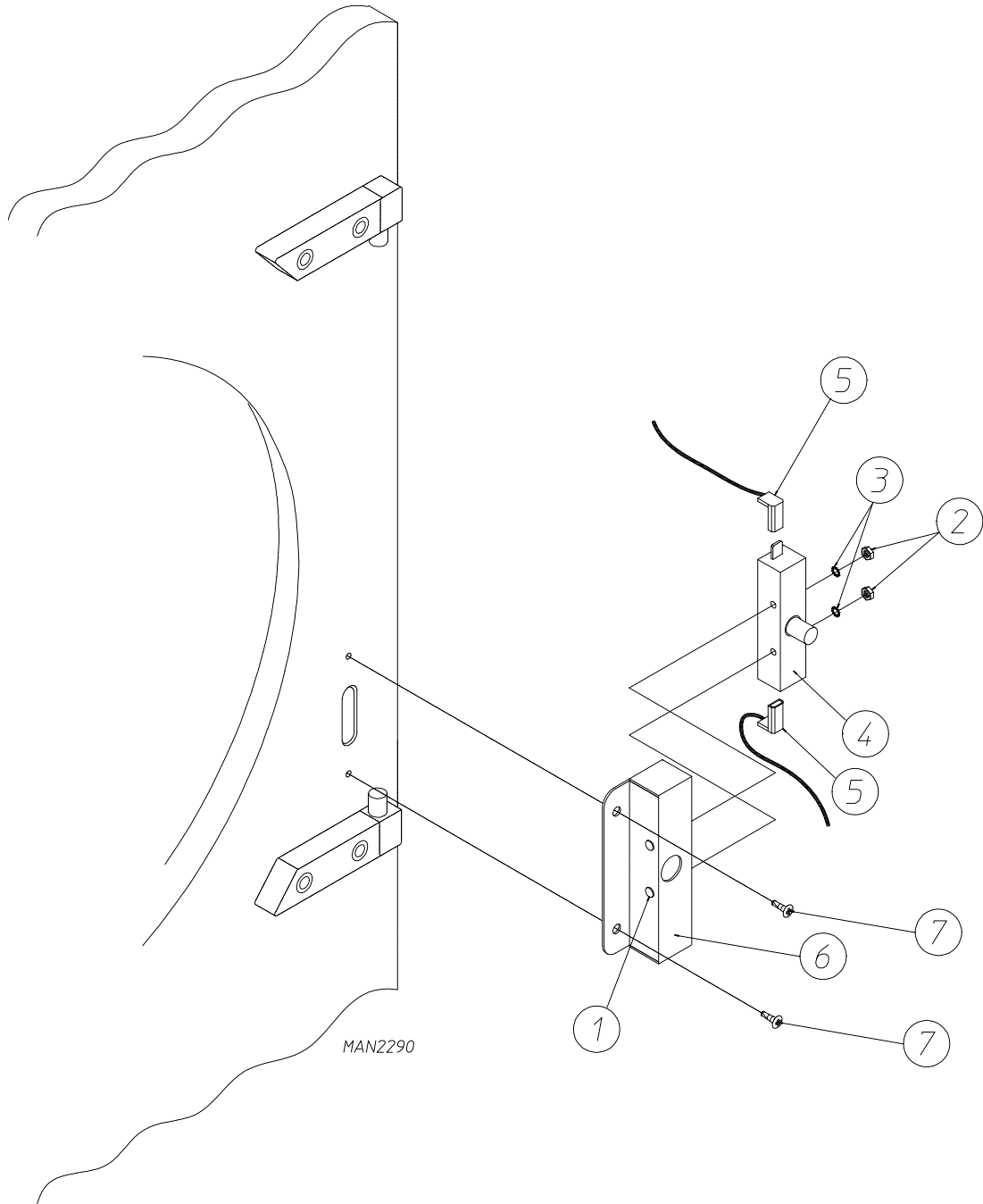
| <u>Illus. No.</u> | <u>Part No.</u> | <u>Qty.</u> | <u>Description</u> |
|-------------------|-----------------|-------------|------------------------------------------------------------------------------------|
| 1 | 881150 | 1 | Black Main Door Assembly Complete (includes illus. nos. 1, 2, and 8 through 15) |
| 2 | 102354 | 1 | Door Gasket |
| | 170731 | 1 | Black Gasket Adhesive (10.3 oz. cartridge) |
| 3 | 881152 | 1 | Black Top Hinge Block Assembly (includes illus. nos. 3 and 4) |
| 4 | 150445 | 2 | 1/4-20 x 3/4" Black Cap Head Setscrew |
| 5 | 153031 | 1 | 1/4" Nylon Washer |
| 6 | 881151 | 1 | Black Bottom Hinge Block Assembly (includes illus. nos. 5, 6, and 7) |
| 7 | 150445 | 2 | 1/4-20 x 3/4" Black Cap Head Setscrew |
| 8 | 150683 | 3 | 1/4-20 x 5/8" Black Carriage Bolt |
| 9 | 152014 | 3 | 1/4-20 Free Spin Wash Nut |
| 10 | 151010 | 1 | #10-32 Black Hex Acorn Nut |
| 11 | 150120 | 1 | Door Latch Screw |
| 12 | 150683 | 3 | 1/4-20 x 5/8" Black Carriage Bolt |
| 13 | 152014 | 3 | 1/4-20 Free Spin Wash Nut |
| 14 | 881210 | 1 | Black Main Door Handle ONLY |
| 15 | 102211 | 1 | 20-7/16" Door Glass |
| | 170731 | 1 | Black Glass Adhesive (10.3 oz. cartridge) |

Cold Rolled Steel Front Panel Assembly

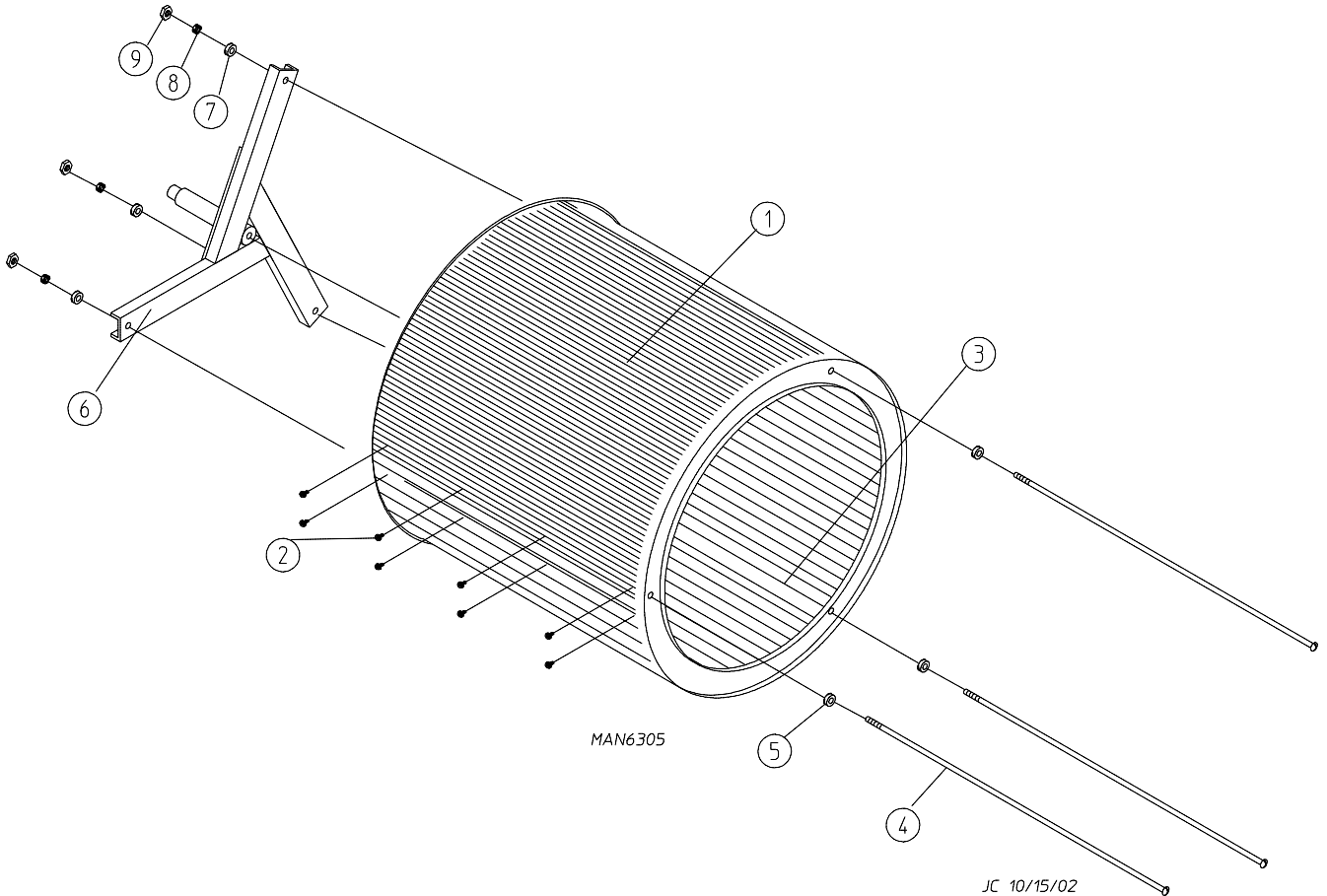


| <u>Illus. No.</u> | <u>Part No.</u> | <u>Qty.</u> | <u>Description</u> |
|-------------------|-----------------|-------------|-----------------------------------------------------------------------|
| 1 | 883598 | 1 | White Front Panel Assembly (includes illus. nos. 1 through 3) |
| | 883599 | 1 | Coral Blue Front Panel Assembly (includes illus. nos. 1 through 3) |
| | 883600 | 1 | Ivory Front Panel Assembly (includes illus. nos. 1 through 3) |
| 2 | 154215 | 2 | 1/8" Pop Rivets |
| 3 | 170330 | 1 | Friction Door Latch |
| 4 | 150313 | 9 | TORX Head Screw |

Main Door Switch Assembly

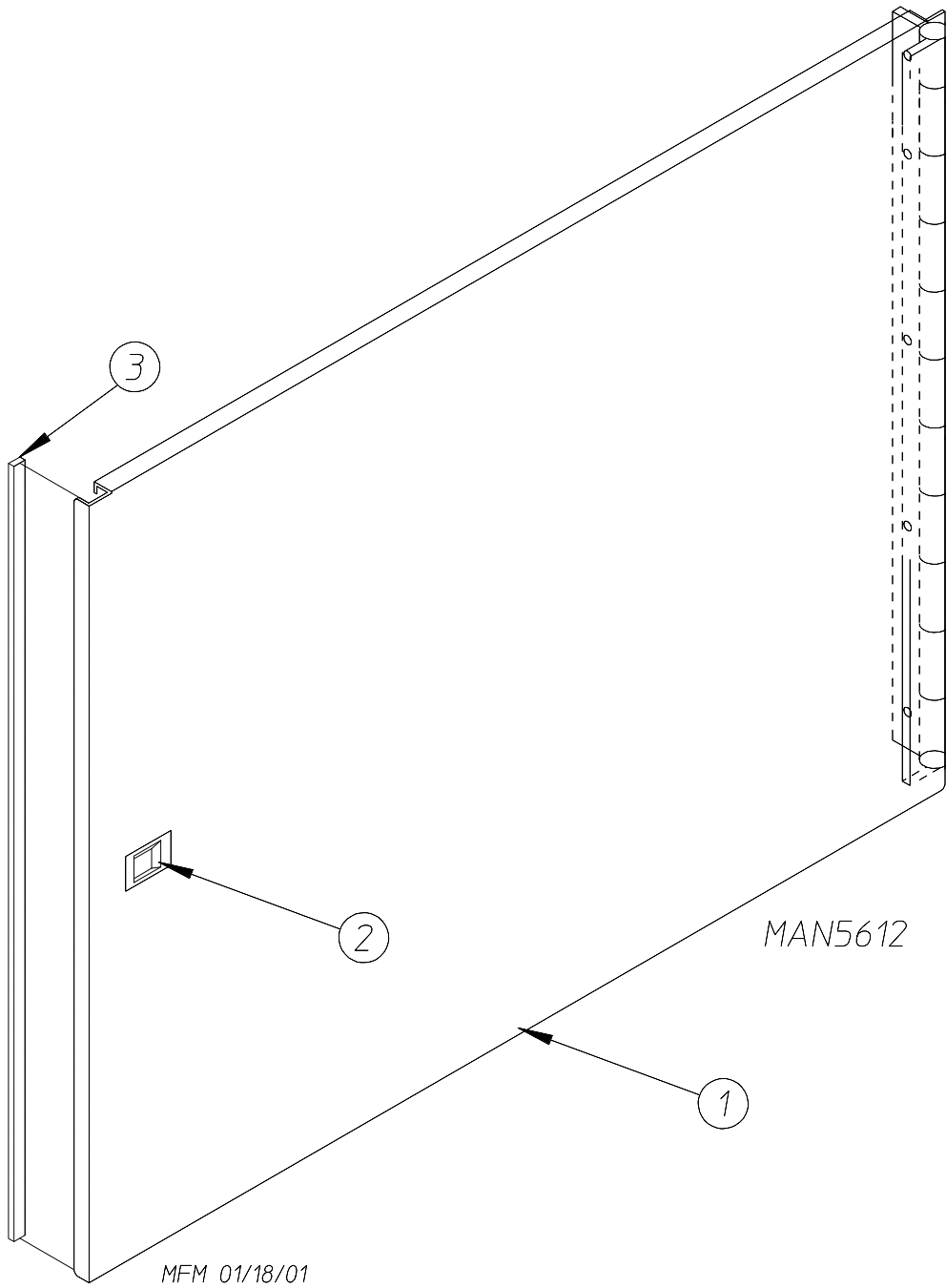


| <u>Illus. No.</u> | <u>Part No.</u> | <u>Qty.</u> | <u>Description</u> |
|-------------------|-----------------|-------------|-------------------------------------------------------------------------------------|
| 1 | 150006 | 2 | #6-32 x 7/8" Phillips Pan Head Machine Screw |
| 2 | 152013 | 2 | #6-32 Hex Nut |
| 3 | 153010 | 2 | #6 Star Washer |
| 4 | 137005 | 1 | Door Switch ONLY |
| 5 | 122636 | 2 | Flag Terminal |
| 6 | 881211 | 1 | Black Main Door Switch Housing ONLY |
| | 881153 | 1 | Black Main Door Switch Housing Complete (includes illus. nos. 1 through 4 and 6) |
| 7 | 150301 | 2 | #8-18 x 7/16" Phillips Pan Head TEK Screw |



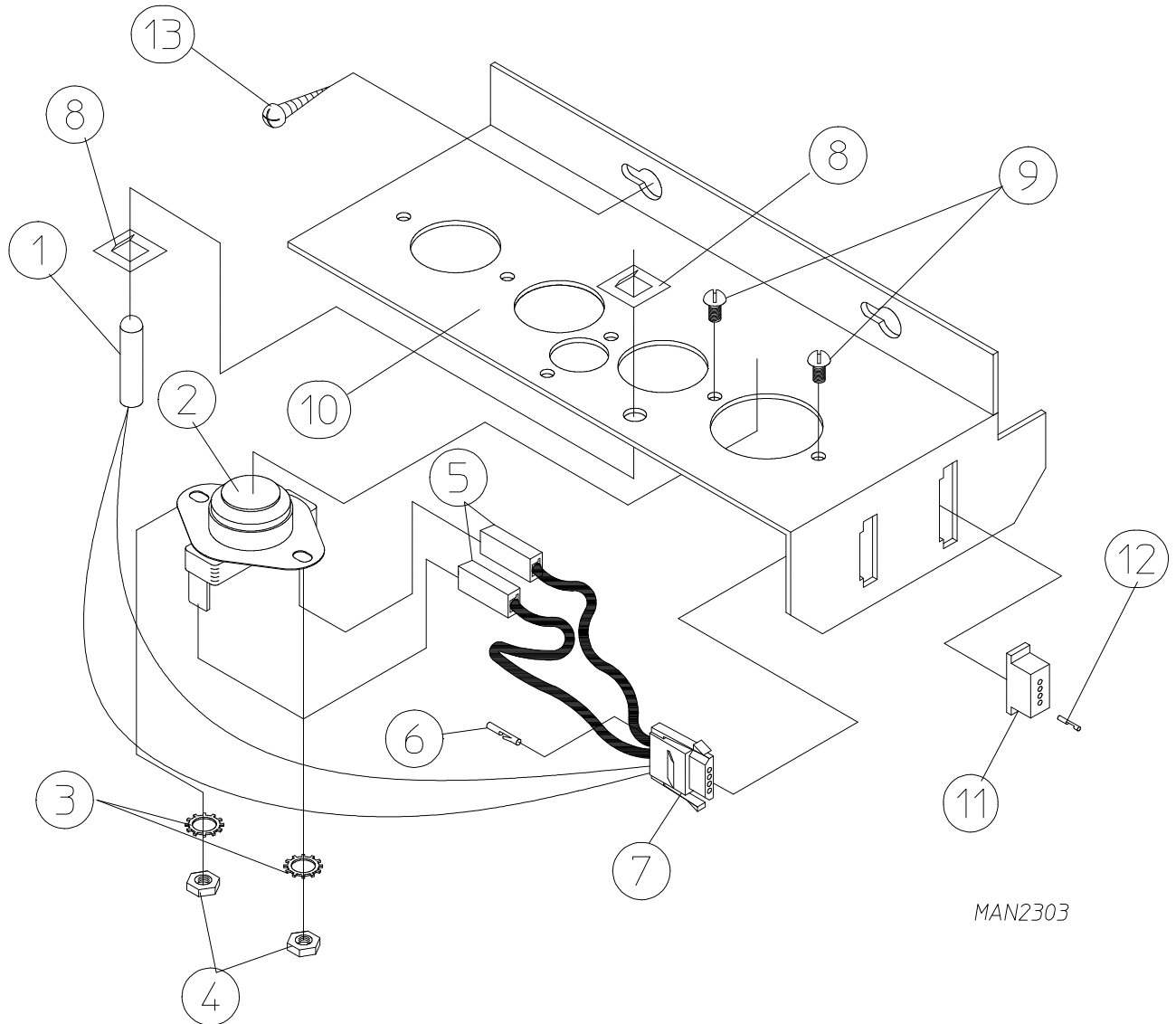
| <u>Illus. No.</u> | <u>Part No.</u> | <u>Qty.</u> | <u>Description</u> |
|-------------------|-----------------|-------------|-----------------------------------------------------------------------------|
| 1 | 800843 | 1 | Tumbler and Support Assembly Complete (includes illus. nos. 1 through 9) |
| | 800717 | 1 | Tumbler ONLY |
| 2 | 154210 | 30 | 5/32" x 3/16" Large Flange Rivet |
| 3 | 301318 | 2 | Tapered Rib ONLY (low rib) |
| | 301317 | 1 | Tapered Rib ONLY (high rib) |
| 4 | 100916 | 3 | 5/16-18 x 25" Tie Rod |
| 5 | 153004 | 3 | 3/8" x 1" Flat Washer |
| 6 | 800612 | 1 | Tumbler Support ONLY |
| 7 | 153004 | 3 | 3/8" x 1" Flat Washer |
| 8 | 153005 | 3 | 3/8" Split Lock Washer |
| 9 | 152005 | 3 | 3/8-16 Hex Nut |

Lint Door Assembly



| <u>Illus. No.</u> | <u>Part No.</u> | <u>Qty.</u> | <u>Description</u> |
|-------------------|-----------------|-------------|---------------------------------------------------------------------|
| 1 | 883593 | 1 | White Lint Door Assembly (includes illus. nos. 1 through 3) |
| | 883594 | 1 | Coral Blue Lint Door Assembly (includes illus. nos. 1 through 3) |
| | 883595 | 1 | Ivory Lint Door Assembly (includes illus. nos. 1 through 3) |
| 2 | 170226 | 1 | Slide Latch Flush Style (black) |
| 3 | 117604 | 2 | 1/8" x 3/8" Neoprene Sponge Tape (sold by the foot) |

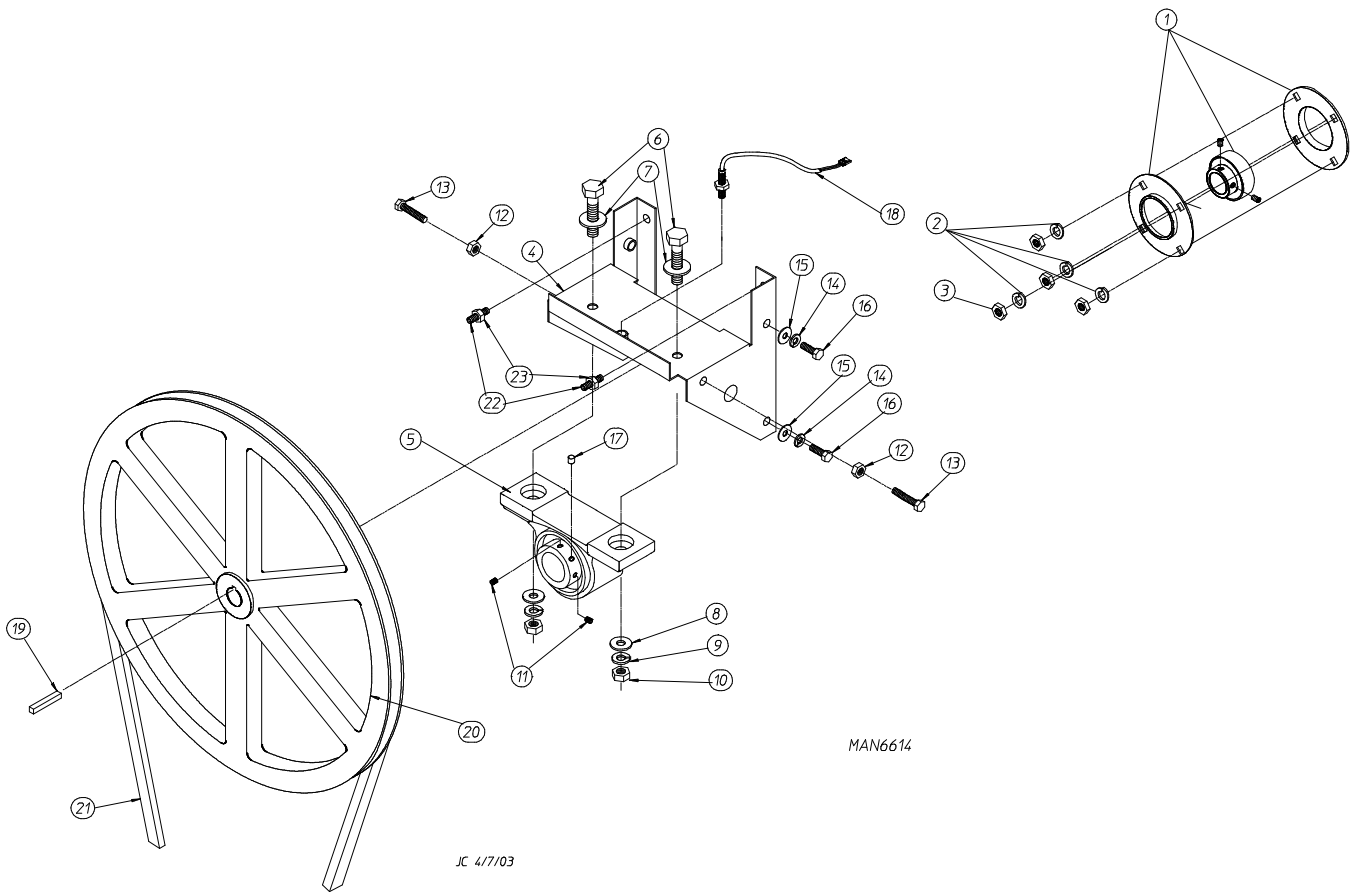
Microprocessor Sensor Bracket Assembly



MAN2303

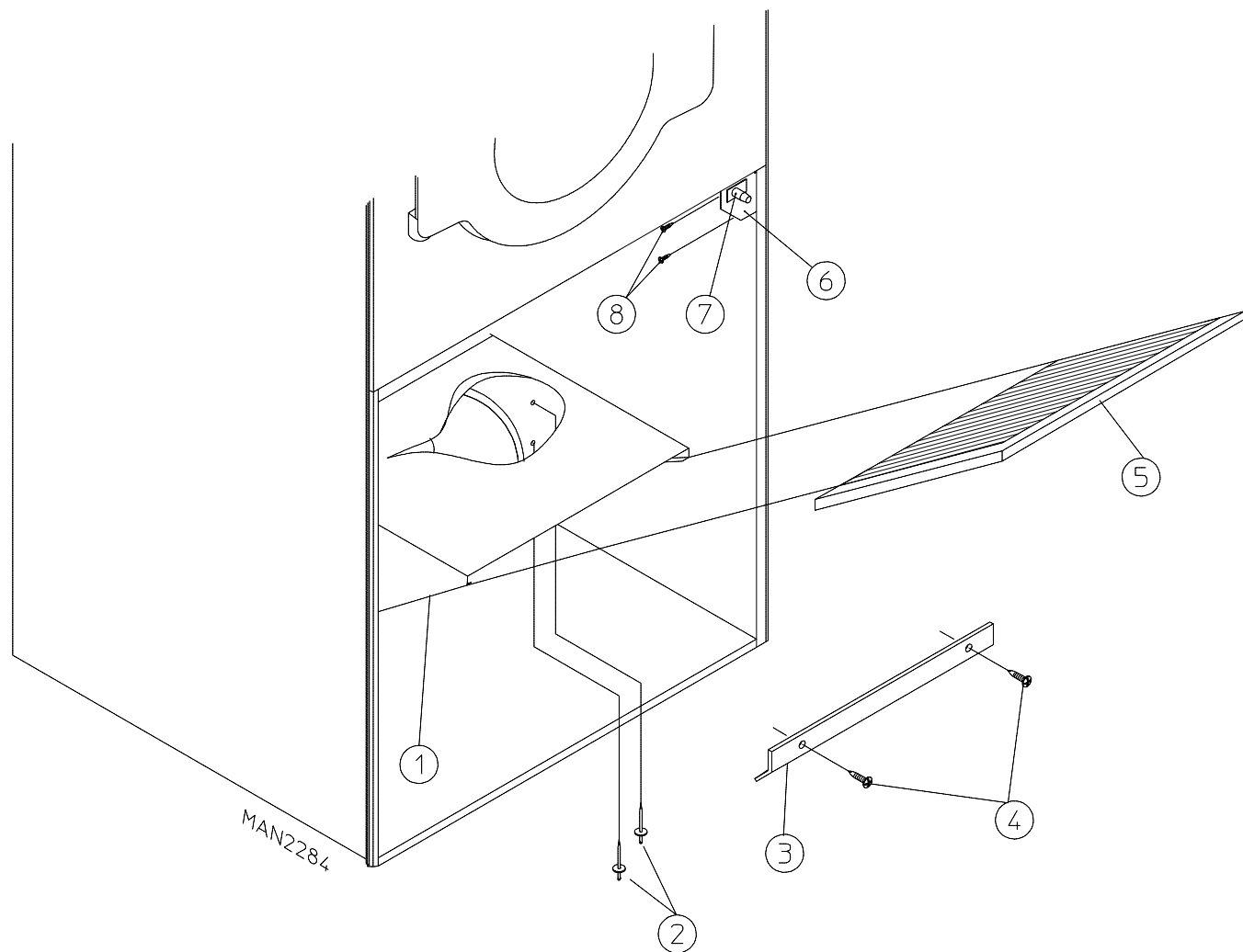
| <u>Illus. No.</u> | <u>Part No.</u> | <u>Qty.</u> | <u>Description</u> |
|-------------------|-----------------|-------------|----------------------------------------------------------------------------------------|
| 1 | 880251 | 1 | 1/4" Temperature Sensor Probe Assembly (includes illus. nos. 1 and 5 through 8) |
| 2 | 130103 | 1 | 225° Large Automatic Reset Thermostat ONLY |
| 3 | 153010 | 2 | #6 Star Washer |
| 4 | 152000 | 2 | #6-32 Hex Nut |
| 5 | 121028 | 2 | Insulated Terminal ONLY |
| 6 | 122701 | 4 | Socket Terminal ONLY |
| 7 | 122605 | 1 | 4-Pin Socket Connector ONLY |
| 8 | 154007 | 2 | 1/4" Tinnerman Push On Fastener |
| 9 | 150005 | 2 | #6-32 x 1/4" Phillips Round Head Machine Screw |
| 10 | 801425 | 1 | Microprocessor Sensor Bracket Assembly Complete (includes illus. nos. 1 through 10) |
| 11 | 122604 | 1 | 4-Pin Connector ONLY |
| 12 | 122700 | 4 | Pin Terminal ONLY |
| 13 | 150301 | 2 | #8-18 x 7/16" Phillips Pan Head TEK Screw |

Tumbler Bearing Assembly

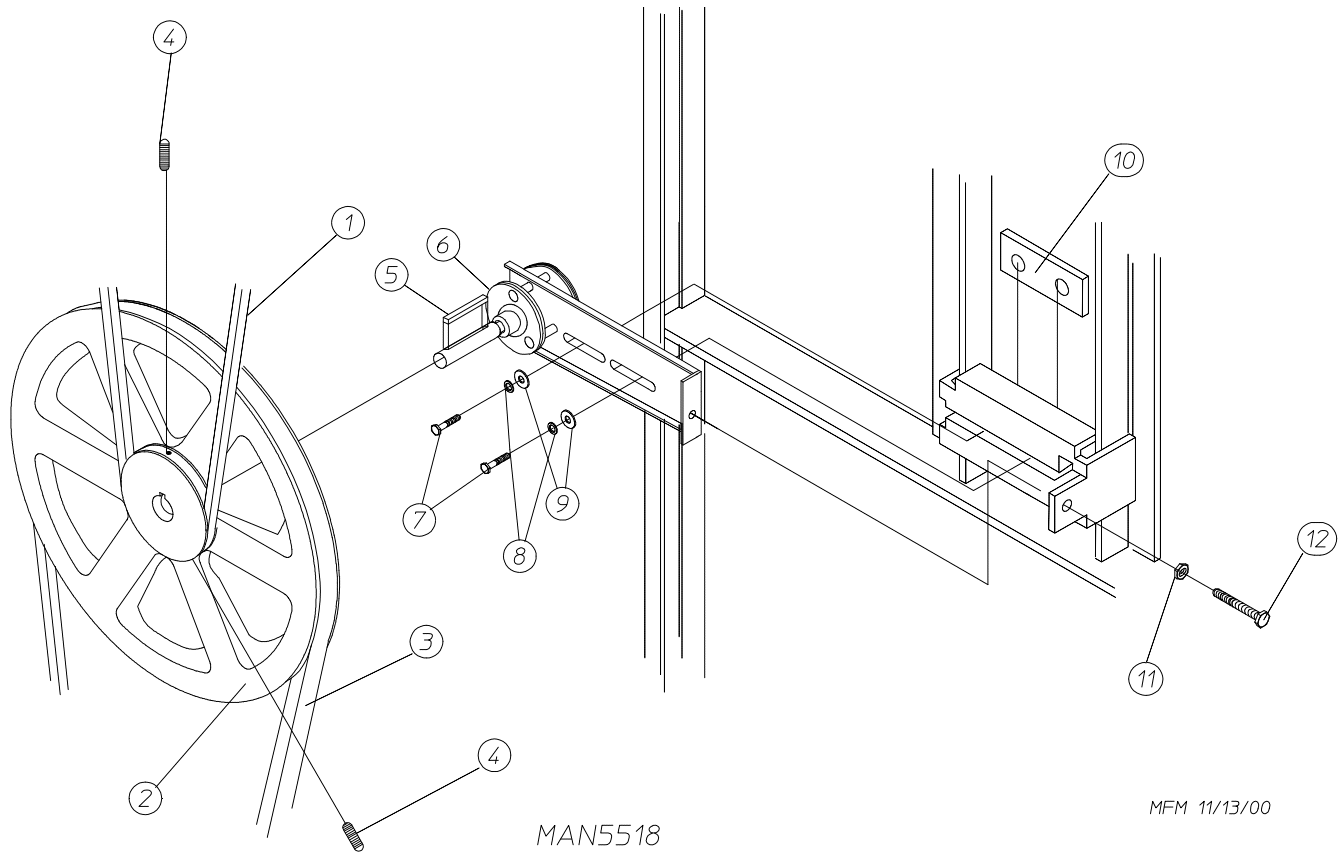


| <u>Illus. No.</u> | <u>Part No.</u> | <u>Qty.</u> | <u>Description</u> |
|-------------------|-----------------|-------------|-------------------------------------------------------------------------------------------------------------------|
| 1 | 880209 | 1 | 1-3/4" Flange Bearing |
| 2 | 153005 | 4 | 3/8" Lock Washer |
| 3 | 152005 | 4 | 3/8-16 Hex Nut |
| 4 | 883387 | 1 | Pillow Block Bearing Assembly Complete (for micro models Only) (includes illus. nos. 4 through 18 and 23) |
| | 882544 | 1 | Pillow Block Bearing Assembly Complete (for dual timer models Only) (includes illus. nos. 4 through 16 and 23) |
| | 882543 | 1 | Pillow Block Bearing Platform ONLY (for micro models Only) |
| | 882542 | 1 | Pillow Block Bearing Platform ONLY (for dual timer models Only) |
| 5 | 880779 | 1 | 1-3/8" Pillow Block Bearing (for micro models Only) |
| | 880202 | 1 | 1-3/8" Pillow Block Bearing (for dual timer models Only) |
| 6 | 150601 | 2 | 3/8-16 x 2" Hex Bolt |
| 7 | 153004 | 2 | 3/8" Flat Washer |
| 8 | 153004 | 2 | 3/8" Flat Washer |
| 9 | 153005 | 2 | 3/8" Lock Washer |
| 10 | 152005 | 2 | 3/8-16 Hex Nut |
| 11 | 154326 | 2 | 5/16-24 x 3/8" Setscrew |
| 12 | 152004 | 2 | 5/16-18 Hex Nut |
| 13 | 150621 | 2 | 5/16-18 x 1-1/2" Tap Bolt |
| 14 | 153002 | 4 | 5/16" Lock Washer |
| 15 | 153004 | 6 | 3/8" Flat Washer |
| 16 | 150501 | 4 | 5/16-18 x 3/4" Tap Bolt |
| 17 | 102120 | 1 | Sintered 8 Magnet (for micro models Only) |
| 18 | 883386 | 1 | Rotational Sensor Assembly (for micro models Only) |
| 19 | 100713 | 1 | Shaft Key |
| 20 | 101100 | 1 | 18" Pulley |
| 21 | 100111 | 1 | 5L-650 V-Belt (tumbler to idler) |
| 22 | 150610 | 2 | 5/16-18 x 1-1/2" Allen Setscrew |
| 23 | 152004 | 2 | 5/16-18 Hex Nut |

Lint Trap Assembly

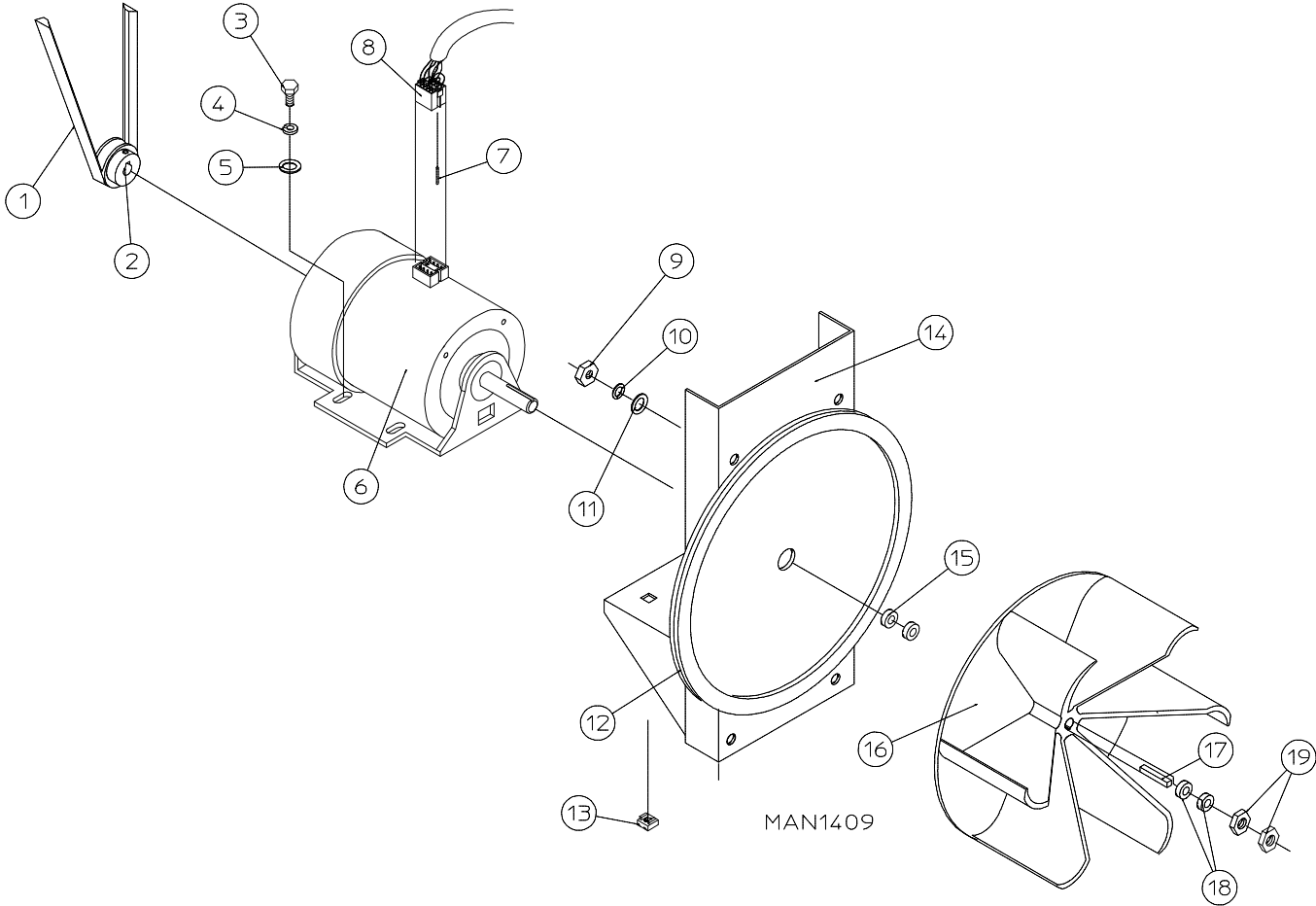


| <u>Illus. No.</u> | <u>Part No.</u> | <u>Qty.</u> | <u>Description</u> |
|-------------------|-----------------|-------------|-------------------------------------------------------------------------|
| 1 | 800429 | 1 | Lint Trap Assembly Complete (includes illus. nos. 1 and 3 through 5) |
| | 801036 | 1 | Lint Trap ONLY |
| 2 | 154200 | 7 | 5/32" Pop Rivet |
| 3 | 304102 | 1 | Lint Screen Holder ONLY |
| 4 | 150300 | 3 | #10-16 x 1/2" Hex Washer TEK Screw |
| 5 | 800503 | 1 | Lint Screen ONLY |
| 6 | 323724 | 1 | Lint Drawer Switch Bracket |
| 7 | 122116 | 1 | Lint Drawer Switch ONLY |
| 8 | 150425 | 2 | #12-24 x 3/8" Slotted Pan Head Screw |

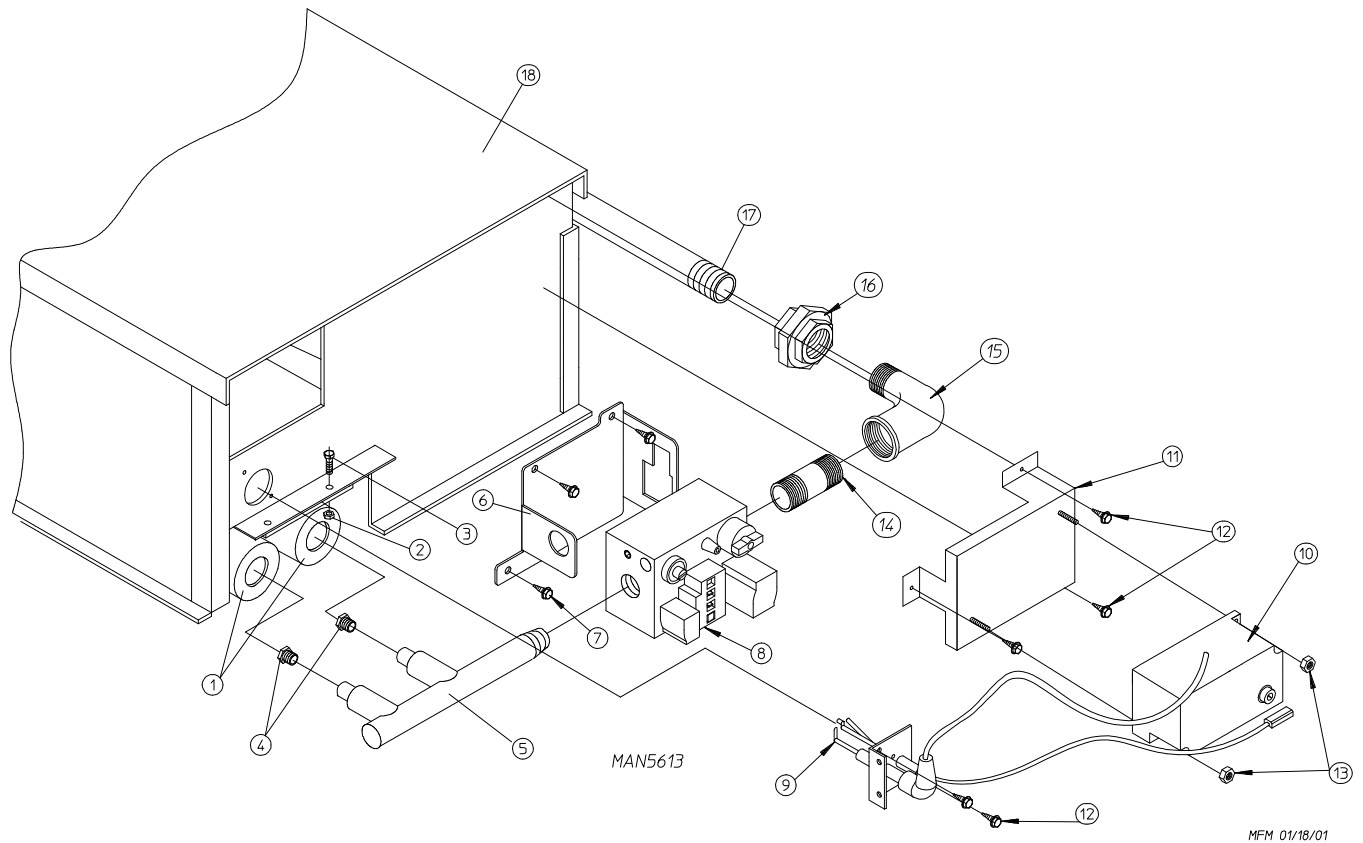


| <u>Illus. No.</u> | <u>Part No.</u> | <u>Qty.</u> | <u>Description</u> |
|-------------------|-----------------|-------------|------------------------------------------------------------------------|
| 1 | 100111 | 1 | 5L-650 V-Belt |
| 2 | 101129 | 1 | 9" x 2-1/2" Compound Pulley |
| 3 | 100105 | 1 | 4L-520 V-Belt (idler to motor) |
| 4 | 154301 | 2 | 5/16-18 x 1" Allen Setscrew |
| 5 | 100705 | 1 | 3/16" x 3/16" x 1-3/8" Key |
| 6 | 882576 | 1 | Idler Bearing Assembly Complete (includes illus. nos. 5 through 12) |
| 7 | 150617 | 2 | 3/8-16 x 1" Hex Head Machine Bolt |
| 8 | 153005 | 2 | 3/8" Lock Washer |
| 9 | 153004 | 2 | 3/8" Flat Washer |
| 10 | 801009 | 1 | Idler Square Washer |
| 11 | 152004 | 1 | 5/16-18 Hex Nut |
| 12 | 150509 | 1 | 5/16-18 x 3" Hex Head Machine Bolt |

Motor Mount Assembly

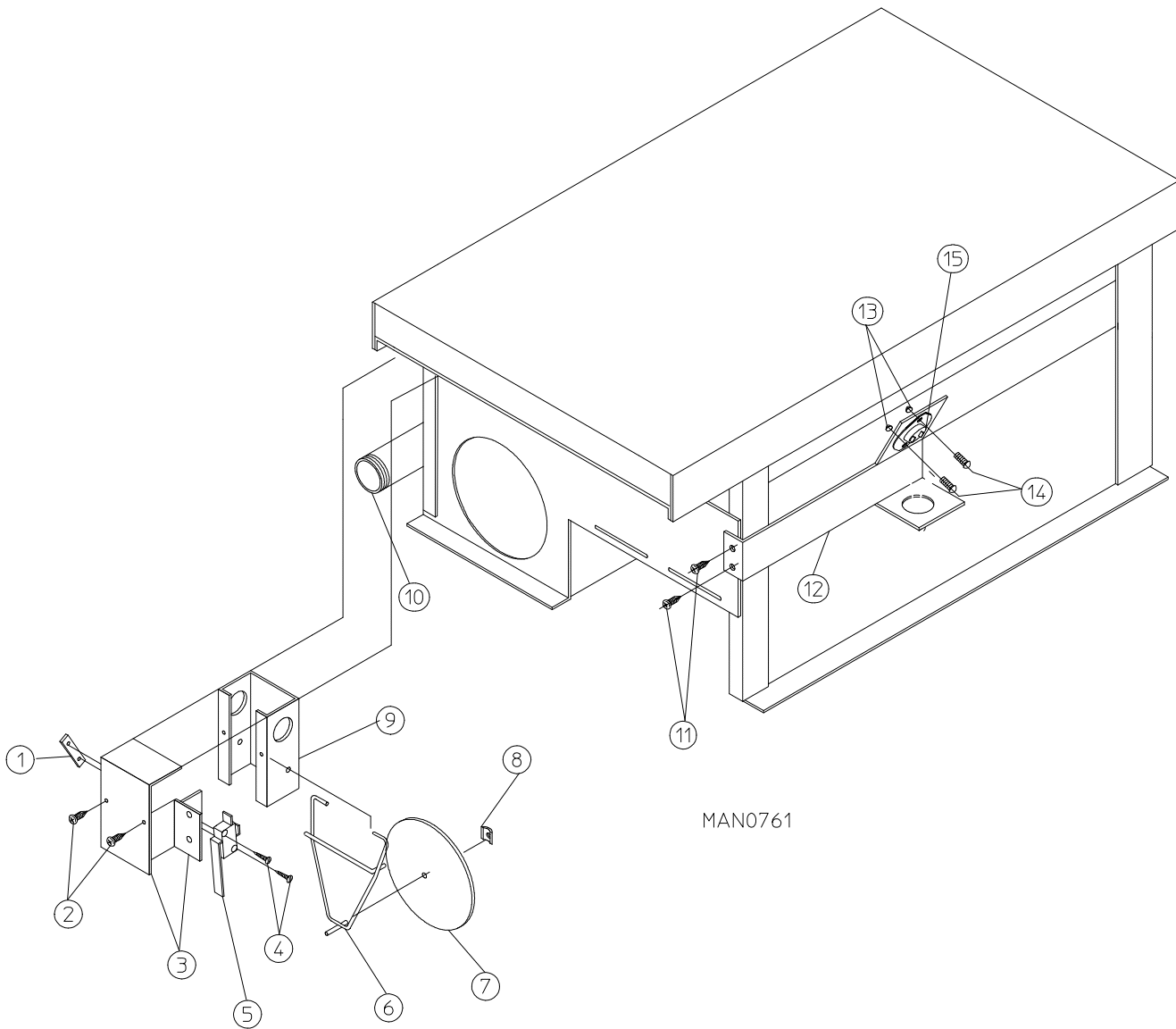


| <u>Illus. No.</u> | <u>Part No.</u> | <u>Qty.</u> | <u>Description</u> |
|-------------------|-----------------|-------------|--------------------------------------------------------------------------------------------------------------------|
| 1 | 100105 | 1 | 4L-520 V-Belt (to idler bearing assembly) |
| 2 | 101131 | 1 | 1/2" x 2-1/4" Motor Pulley (for use on 1Ø 60 Hz models Only) |
| 3 | 150501 | 4 | 5/16-18 x 3/4" Tap Bolt |
| 4 | 153002 | 4 | 5/16" Lock Washer |
| 5 | 153001 | 4 | 5/16" Flat Washer |
| 6 | 181049 | 1 | 1/2 HP 115-230v 1Ø 60 Hz Motor with Plug |
| 7 | 122701 | 8 | Socket Terminal ONLY |
| 8 | 137030 | 1 | 8-Pin Housing Connector ONLY |
| | 122801 | 1 | Pin / Socket Extraction Tool |
| 9 | 152004 | 4 | 5/16-18 Hex Nut |
| 10 | 153002 | 4 | 5/16" Lock Washer |
| 11 | 153001 | 4 | 5/16" Flat Washer |
| 12 | 117600 | 4 | Noise Suppressor Tape (sold by the foot) |
| 13 | 154000 | 4 | 5/16-18 Tinnerman Nut |
| 14 | 850016 | 1 | 1/2 HP Motor Mount ONLY (56Z frame) |
| | 803871 | 1 | 1/2 HP 115-230v 1Ø 60 Hz Motor Mount Assembly with Plug Motor (includes illus. nos. 2 through 6 and 12 through 19) |
| 15 | 153050 | 2 | 1/2" S.A.E. Flat Washer |
| 16 | 100604 | 1 | 12-1/2" Impellor (fan) with 1/2" Bore |
| 17 | 100702 | 1 | 1/8" x 1/8" x 1-1/2" Key |
| 18 | 153050 | 2 | 1/2" S.A.E. Flat Washer |
| 19 | 152006 | 2 | 1/2-20 Left Hand Jam Nut |



| <u>Illus. No.</u> | <u>Part No.</u> | <u>Qty.</u> | <u>Description</u> |
|-------------------|-----------------|-------------|--------------------------------------------------------------------------------------------------------------|
| 1 | 141104 | 2 | Small Tube Burner |
| 2 | 151001 | 2 | #8-32 Pal Nut |
| 3 | 150108 | 2 | #8-32 x 1/2" Phillips Pan Head Machine Screw |
| 4 | 140815 | 2 | #37 Orifice (natural gas) |
| | 140800 | 2 | #52 Orifice (liquid propane gas) |
| 5 | 141230 | 1 | 1/2" Direct Spark Ignition Manifold (2-port) |
| 6 | 318714 | 1 | 1-Piece Gas Valve Bracket |
| 7 | 150309 | 5 | #10-16 x 1/2" Hex Head TEK Crimptite Screw |
| 8 | 128979 | 1 | Gas Valve (natural gas) |
| | 887273 | 1 | Gas Valve (liquid propane gas) |
| 9 | 809307 | 1 | Ignitor-Probe Assembly |
| 10 | 887133 | 1 | Direct Spark Ignition Module (3 tries) |
| 11 | 810030 | 1 | Direct Spark Ignition Module Mounting Bracket |
| 12 | 150300 | 9 | #10-16 x 1/2" Hex Washer TEK Screw |
| 13 | 152013 | 2 | #6-32 Hex Nut |
| 14 | 142707 | 1 | 1/2" x 1-1/2" Long Black Nipple |
| 15 | 142506 | 1 | 1/2" Street Elbow |
| 16 | 142600 | 1 | 1/2" Black Union |
| 17 | 142809 | 1 | 1/2" x 29-1/8" Pipe |
| 18 | 882982 | 1 | Direct Spark Ignition Burner Box – Natural Gas (includes illus. nos. 1 through 3 and 5 through 18) |
| | 882983 | 1 | Direct Spark Ignition Burner Box – Liquid Propane Gas (includes illus. nos. 1 through 3 and 5 through 18) |
| — | 874058 | 1 | AD-24 Liquid Propane Conversion Kit...Not Illustrated |

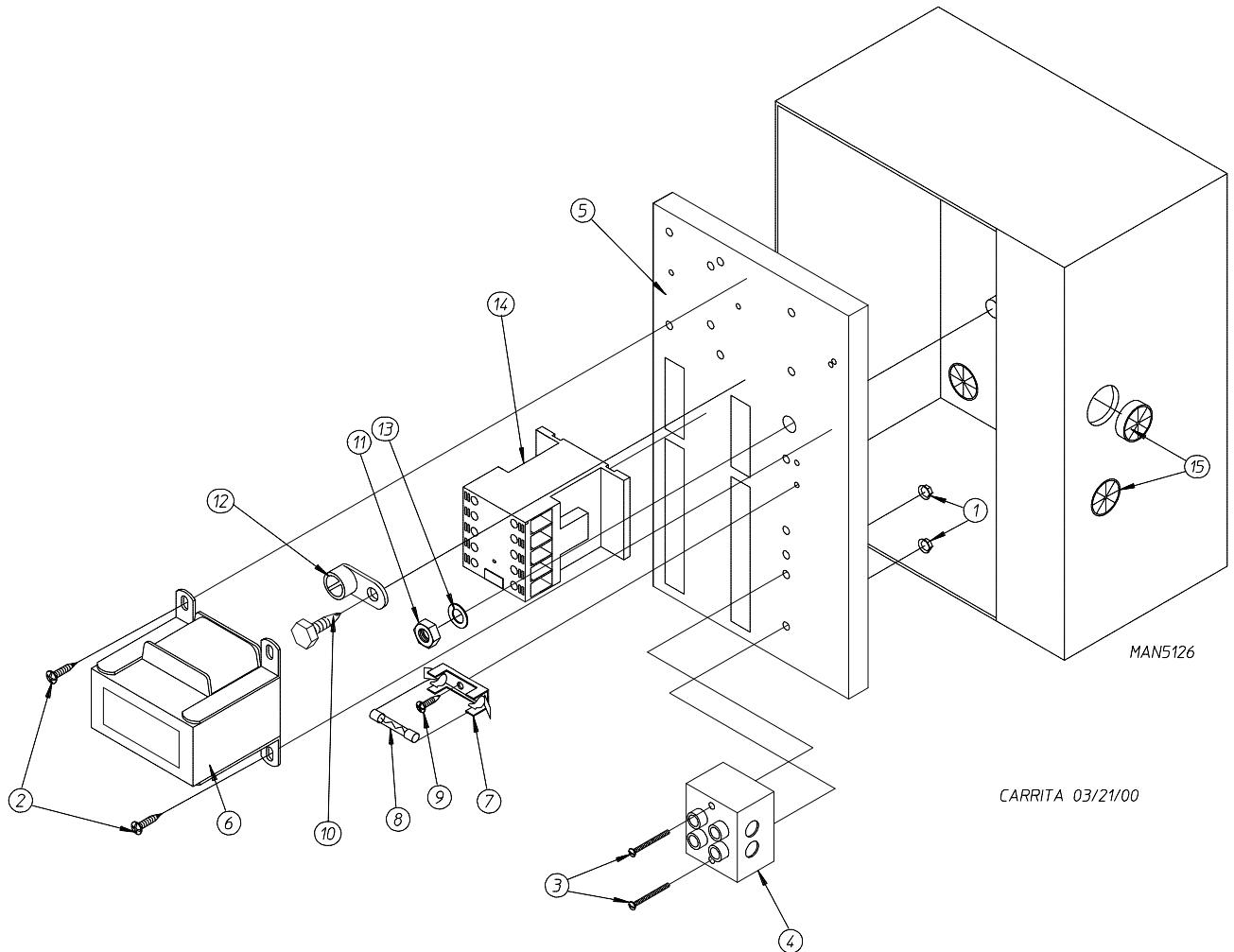
Sail Switch / Hi-Limit Assemblies



MAN0761

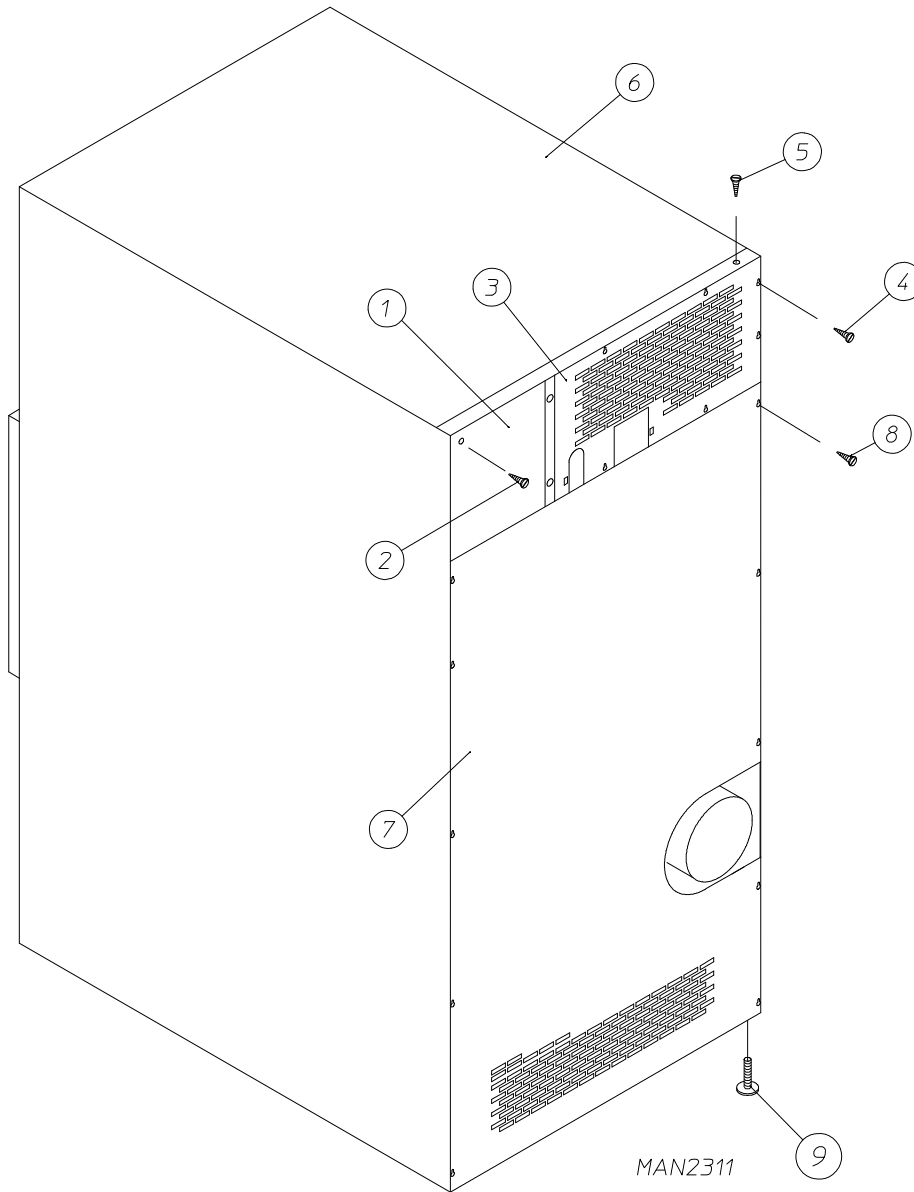
| <u>Illus. No.</u> | <u>Part No.</u> | <u>Qty.</u> | <u>Description</u> |
|-------------------|-----------------|-------------|-------------------------------------------------------------------------|
| 1 | 154004 | 1 | Twin Speed Nut |
| 2 | 150309 | 2 | #10-16 x 1/2" Hex Head TEK Crimptite Screw |
| 3 | 802799 | 1 | Sail Switch Box Cover and Bracket ONLY |
| 4 | 150303 | 2 | #4 x 3/4" Pan Head "A" Machine Screw |
| 5 | 122200 | 1 | Sail Switch ONLY |
| 6 | 105500 | 1 | Sail Switch Actuator Rod |
| 7 | 319202 | 1 | Sail Switch Damper (flat) |
| 8 | 154002 | 1 | 1/8" Push On Fastener |
| 9 | 802801 | 1 | Sail Switch Box Assembly Complete (includes illus. nos. 1 through 9) |
| | 802800 | 1 | Sail Switch Box with Cover and Bracket ONLY |
| 10 | 142809 | 1 | 1/2" x 29-1/8" Pipe |
| 11 | 150309 | 2 | #10-16 x 1/2" Hex Head TEK Crimptite Screw |
| 12 | 319704 | 1 | Hi-Limit Mounting Bracket ONLY |
| 13 | 151000 | 2 | #6-32 Pal Nut |
| 14 | 150001 | 2 | #6-32 x 1/2" Round Head Machine Screw |
| 15 | 130403 | 1 | 330° Hi-Limit ONLY |

Rear Electric Relay Panel Assembly



| <u>Illus. No.</u> | <u>Part No.</u> | <u>Qty.</u> | <u>Description</u> |
|-------------------|-----------------|-------------|---------------------------------------------------------------------------------------------|
| 1 | 151000 | 2 | #6-32 Pal Nut |
| 2 | 150300 | 2 | #10-16 x 1/2" Hex Washer TEK Screw |
| 3 | 150008 | 2 | #6-32 x 1-1/4" Phillips Pan Head Machine Screw |
| 4 | 120716 | 1 | 2-Position Terminal Block |
| 5 | 322812 | 1 | Rear Electric Mounting Plate ONLY |
| | 822796 | 1 | Rear Electric Panel Assembly Complete – 115 Volt (includes illus. nos. 1 through 14) |
| | 822798 | 1 | Rear Electric Panel Assembly Complete – 208-240 Volt (includes illus. nos. 1 through 14) |
| 6 | 822794 | 1 | Transformer Assembly – 115 Volt |
| | 822799 | 1 | Transformer Assembly – 208-240 Volt |
| 7 | 136008 | 2 | Fuse Holder ONLY |
| 8 | 136057 | 2 | 1/2-Amp (Slo-Blo) Fuse ONLY |
| 9 | 150301 | 4 | #8-18 x 7/16" Phillips Pan Head TEK Screw |
| 10 | 150297 | 1 | #10 x 1/2" Green Hex Washer TEK Screw |
| 11 | 152004 | 1 | 5/16-18 Hex Nut |
| 12 | 121010 | 1 | L-70 Ground Lug |
| 13 | 153002 | 1 | 5/16" Lock Washer |
| 14 | 132514 | 1 | 3-Pole Contactor |
| 15 | 121300 | 3 | Open / Closed Bushing |

Outer Top / Back Guard Assemblies



| <u>Illus. No.</u> | <u>Part No.</u> | <u>Qty.</u> | <u>Description</u> |
|-------------------|-----------------|-------------|--------------------------------------------|
| 1 | 322809 | 1 | Back Electrical Box Cover |
| 2 | 150301 | 4 | #8-18 x 7/16" Phillips Pan Head TEK Screw |
| 3 | 330660 | 1 | Top Back Guard |
| 4 | 150301 | 7 | #8-18 x 7/16" Phillips Pan Head TEK Screw |
| 5 | 150309 | 10 | #10-16 x 1/2" Crimptite Hex Head TEK Screw |
| 6 | 330767 | 1 | Outer Top |
| 7 | 330609 | 1 | Bottom Back Guard |
| 8 | 150301 | 10 | #8-18 x 7/16" Phillips Pan Head TEK Screw |
| 9 | 103500 | 4 | Leveling Leg |

| <u>Part No.</u> | <u>Description</u> |
|-----------------|----------------------------------------------------|
| 112280 | "Clean Lint Screen" Label |
| 114001 | "CAUTION Exhaust / Lint Screen" Label |
| 114548 | "Phase 7 Coin Program Location Summary" Label |
| 120100 | 3/8" Straight (BX) Connector |
| 120300 | 3/8" x 45° (BX) Connector |
| 120400 | 3/8" Red Jacket (BX) Insulator |
| 120500 | 3/8" Jiffy Clip (BX retainer clip) |
| 120600 | 3/8" Greenfield (BX) |
| 120707 | Terminal Strip (2-position) |
| 120708 | Terminal Strip (3-position) |
| 120800 | 1/4" In-Line Connector |
| 120802 | Red Butt Connector |
| 120902 | #74B Wire Nut |
| 120903 | Crimp-On Wire Nut |
| 121014 | 1/4" Insulated (female) Terminal |
| 121026 | Tab Receptacle Combination |
| 121499 | 5-1/2" Harness Tie |
| 121500 | 8" Harness Tie |
| 121503 | Harness Tie Mounting Clip |
| 122804 | Manometer (hydro gauge) for Measuring Gas Pressure |
| 404502 | White Brush-In-Cap Bottle Touch-Up Paint |
| 404515 | Coral Blue Brush-In-Cap Bottle Touch-Up Paint |
| 404516 | Ivory Brush-In-Cap Bottle Touch-Up Paint |

